



File Name: Bx620 s4 manual.pdf

Size: 3581 KB

Type: PDF, ePub, eBook

Category: Book

Uploaded: 30 May 2019, 18:48 PM

Rating: 4.6/5 from 836 votes.

Download Now!

Please check the box below to proceed.



I'm not a robot



reCAPTCHA
Privacy - Terms

Book Descriptions:

Bx620 s4 manual

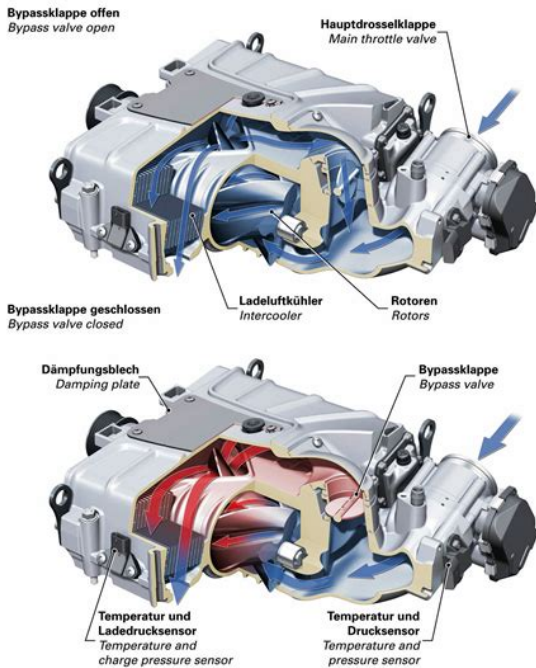


Alle Rechte vorbehalten. It is designed for the PRIMERGY BX600 S3 basic unit but can also be operated in the BX600 S2 basic unit. If you need a replacement copy of the ServerBooks DVD, send the. For how to upgrade processors, see the Options Guide; for how to replace processors, see the Service Supplement. The PDA Prefailure Detection and Analyzing technology from Fujitsu Siemens Computers analyzes and monitors all components that are important for system reliability. The flashEPROM program supplied with the utilities from Fujitsu Siemens Computers enables fast BIOS updating via the USB interface. Global Flash also allows the BIOS and BMC firmware to be updated remotely. The links take you to the sections with more detailed descriptions of the individual steps. For information on installing and operating the basic unit, see the BX600 S2 or BX600 S3 basic unit operating manual see "Related Publi. It is only recommended if the requirements for a remote installation or cloning are not met. If you want to use an operating system that is not supported by ServerStart, you can of course install it directly without ServerStart. Notes on Safety The following safety instructions are also provided in the manual "Safety notes and other important information". This device complies with the relevant safety regulations for data processing equipment. During installation and before operating the device, observe the instructions on environmental conditions for your device see section "Technical Data" on page 14. If the server has been moved from a cold environment, condensation may form both inside and on the outside of the machine. In emergencies e.g. damaged casing, controls or cables, penetration of liquids or foreign bodies, switch off the server immediately, remove all power plugs and contact your sales outlet or customer service team. Incorrect replacement of batteries may lead to a risk of explosion. <http://www.eu-long.com/upfiles/200918223932878741vewhnn.xml>

- **bx620 s4 manual, gx620 s4 manual download, gx620 s4 manual pdf, gx620 s4 manual free, gx620 s4 manual instructions.**

3,0 Liter-V6-TFSI-Motor

Luftströmung im Auflademodul
3.0 litre V6 TFSI engine
Air flow inside the supercharger module
02/09



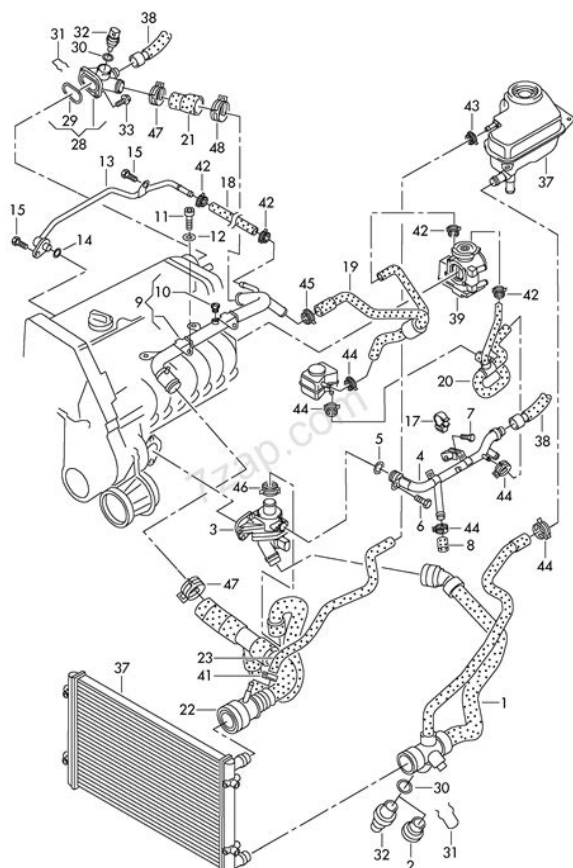
The batteries may only be replaced with identical batteries or with a type recommended by the manufacturer. Do not throw batteries into the trash can. They must be disposed of in accordance with local regulations concerning special waste. If you pass the system on to someone else, you should also give them the complete documentation. This means that key factors such as durability, selection and labeling of materials, emissions, packaging, ease of dismantling and recycling have been taken into account. Make sure you observe the safety notes in the chapter "Important Information" on page The server blade must not be exposed to extreme environmental conditions see "Ambient conditions" on page 15. It must be protected from dust, humidity and heat. The server blade must be given time to acclimatize to its operating environment acclimatization time before commencing operation. Operating Manual BX620 S4. To add a server blade, you must first remove the dummy module from the corresponding slot. Keep the dummy module for future use. If a server blade is removed again and not replaced with a new one, the dummy module must be reinstalled because of cooling, fire protection and EMC regulations. Install the dummy module in the same way as the server blade see page 32. Figure 5 Final engaging of the locking mechanism Removing the BX620 S4 Server Blade Remove the server blade in the same way as the dummy module see "Removing the Dummy Module". Glows Server blade is running. Glows KVM has been activated for this server blade. Reference Installation A reference installation of a server blade performed using ServerStart is used as the basis for a clone image. The scope of the displayed BIOS parameters may differ depending on the configuration. The server blade comes with default settings in effect. You can change these settings in the BIOS Setup. Build Date Indicates the creation date of the BIOS version. BIOS Version Indicates the BIOS version. <http://www.zscamke.sk/userfiles/dell-projector-3400mp-manual.xml>



Blade Switches synchronization of the realtime clock with the time of the management blade on Enabled or off Disabled. Size Indicates the size of the available main memory. Advanced Menu Figure 10 Advanced menu Reset Configuration Data Defines whether the configuration data is reinitialized when the server blade is started. CPU Configuration Calls a submenu for defining the CPU settings. 6.4.1 Peripheral Configuration The Peripheral Configuration submenu contains the following items Serial 1. Fujitsu Siemens Computers recommends for standart applica tions not to deviate from the default settings. Adjacent Cache Line Prefetch Defines whether the a prefetch to adjacent cacheline sectors is Enabled or Disabled. Via this option the hardware support of the CPU for software can be activated which permits the running of more than one operating system at the same time. Default is Enabled. Change Supervisor Password When you press Enter, a window is opened in which you can define a supervisor password. When the BIOS Setup is called up, a password is always requested if one has been defined. You can enter either the supervisor password or the user password if defined. CPU Status Opens a submenu for setting the CPU status. Memory Status Opens a submenu for activating and deactivating memory modules. Console Redirection Opens a submenu for setting up terminal communication. You should only disable a CPU if it has reported an internal error. The error is recorded in the system event log, which you can view with the SCU Server Configuration Utility or the RemoteView or ServerView programs. Mirroring occurs between two branches. DIMM x,y Sets the current status of the memory modules Enabled If the bank is fitted, the memory module is used by the system. Boot Device Priority Opens a submenu for defining the order in which the existing devices are searched for the system files that the system BIOS requires for booting.

Discard Changes and Exit Discards all parameter changes and terminates the BIOS Setup. Load Previous Value Resets all the parameters to the values that were in effect when the BIOS Setup was called up. Make sure you observe the safety notes in the chapter "Important Infor mation" on page How to handle errors that may occur while operating server blades in the basic unit is described in the BX600 S2 or BX600 S3 basic unit operating manual see "Related Publications". ATTENTION Only hard disk modules can be added or replaced while the system is running. For all other system components, the server blade must be switched off and in most cases must also be removed from the basic unit except when installing a storage module so that the cover can be opened. Make sure you do not press on the ejection tab with the punchedout triangle. If you have removed the hard disk module and do not replace it with a new one, the dummy module must be reinstalled to comply with EMC regulations, cooling requirements and fire protection measures. The overview page showing the online documentation available on the Internet can be found at the URL siemens.com. The server PRIMERGY documentation can be accessed using the Industry standard servers navigation option. This new subsidiary of Fujitsu has been renamed Fujitsu Technology So lutions. This document from

the document archive refers to a product version which was released a considerable time ago or which is no longer marketed. We delete comments that violate our policy, which we encourage you to read. Discussion threads can be closed at any time at our discretion. Learn more opens in a new window or tab This amount is subject to change until you make payment. For additional information, see the Global Shipping Programme terms and conditions opens in a new window or tab This amount is subject to change until you make payment. If you reside in an EU member state besides UK, import VAT on this purchase is not recoverable.

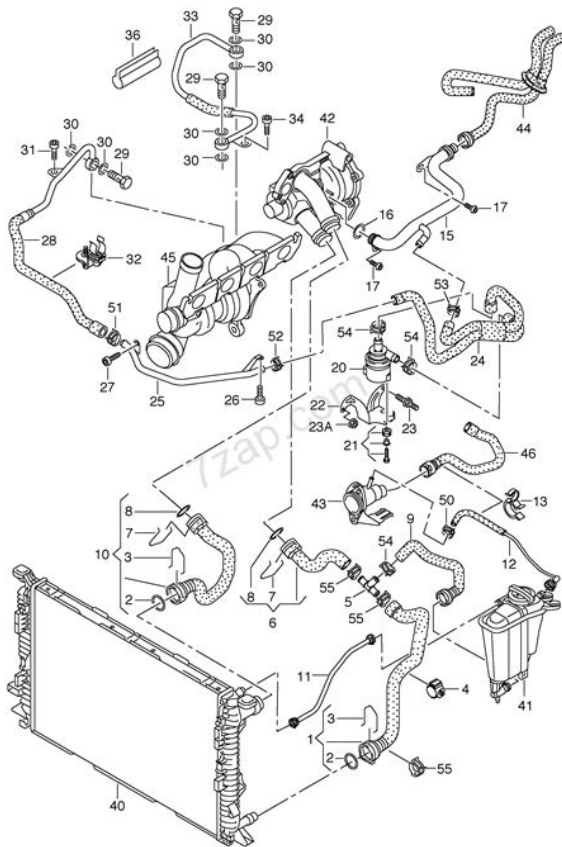


<http://www.drupalitalia.org/node/77651>

For additional information, see the Global Shipping Programme terms and conditions opens in a new window or tab Learn More opens in a new window or tab Learn More opens in a new window or tab Learn More opens in a new window or tab Learn More opens in a new window or tab The item may have some signs of cosmetic wear, but is fully operational and functions as intended. This item may be a floor model or an item that has been returned to the seller after a period of use. See the seller's listing for full details and description of any imperfections. You're covered by the eBay Money Back Guarantee if you receive an item that is not as described in the listing. Find out more about your rights as a buyer opens in a new window or tab and exceptions opens in a new window or tab. Contact the seller opens in a new window or tab and request post to your location. Please enter a valid postcode. Please enter a number less than or equal to 1. The actual VAT requirements and rates may vary depending on the final sale. All Rights Reserved. User Agreement, Privacy, Cookies and AdChoice Norton Secured powered by Verisign. See the seller's listing for full details and description of any imperfections. You're covered by the eBay Money Back Guarantee if you receive an item that is not as described in the listing. Find out more about your rights as a buyer opens in a new window or tab and exceptions opens in a new

window or tab. Contact the seller opens in a new window or tab and request post to your location. Please enter a valid postcode. Please enter a number less than or equal to 2. The actual VAT requirements and rates may vary depending on the final sale. All Rights Reserved. Something went wrong.Learn more opens in a new window or tab This amount is subject to change until you make payment.

<http://ainma.com/images/bowflex-power-pro-xtl-manual-pdf.pdf>



For additional information, see the Global Shipping Program terms and conditions opens in a new window or tab This amount is subject to change until you make payment. For additional information, see the Global Shipping Program terms and conditions opens in a new window or tab Learn more opens in a new window or tab Learn more opens in a new window or tab Learn more opens in a new window or tab Learn more opens in a new window or tab This item may or may not be in original packaging. See the seller's listing for full details. If you dont follow our item condition policy for returns, you may not receive a full refund. Refunds by law In Australia, consumers have a legal right to obtain a refund from a business if the goods purchased are faulty, not fit for purpose or dont match the sellers description. More information at returns. Contact the seller opens in a new window or tab and request postage to your location. Please enter a valid postcode. Please enter a number less than or equal to 14. The actual VAT requirements and rates may vary depending on the final sale. All Rights Reserved. The PRIMERGY BX620 S4 performance data are compared with the data of other PRIMERGY models and discussed. In addition to the benchmark results, an explanation has been included for each benchmark and for the benchmark environment.Thank you, for helping us keep this platform clean. The editors will have a look at it as soon as possible. Page Count 5 Blade Options. Storage Blade. PRIMERGY SX650 Storage Blade. A storage subsystem shaped like a blade server that pursues spacesaving.Product Name. Product IDSlot occupancy Occupies 1 slot blade server slot of PRIMERGY BX600 S3 chassis. Hard disk bay 5 slot. Mountable HDD 2.5inch SAS, maximum up to 734GB. PRIMERGY BX600 S3

chassis PGUR4SC2. Compatibility. BX600 S3 chassis. BX600 S2 chassisPRIMERGY BX600 Switch Blade 1Gbps.

<http://fxturfspecialists.com/images/bowflex-pr1000-home-gym-manual.pdf>



A 1Gbps 2layer Switch Blade that corresponds to the expanded LAN ports of BX620 S4. Product Name. PRIMERGY BX600 Switch Blade Product ID Corresponds to L2 switch, Port VLAN, link aggregation, spanning tree. BX600 S2 chassis A high performance 2layer Switch Blade that enables a flexible network configuration. Highspeed, high capacity, low power consuming. Product Name. PRIMERGY BX600 Switch Blade Product ID Corresponds to L2 switch, Port VLAN, link aggregation, spanning tree. Compatibility. BX600 S3 chassis, BX600 S2 chassis A Switch Blade corresponding to 10Gbps to support nextgeneration network. Highspeed, high capacity, low power consuming. Product Name. PRIMERGY BX600 Switch Blade Shortwave XFP Module. Product ID Corresponds to L2 switch, Port VLAN, link aggregation, spanning tree. Compatibility. BX600 S3 chassis, BX600 S2 chassis Cisco Catalyst Blade Switch 3040. A Switch Blade complying with the industry standard CISCO Systems Gigabit Ethernet. Product Name. Cisco Catalyst Blade Switch 3040. Product ID L2 1Gbps Cisco LAN switching hub. Internal interface 1Gbps x10 port. External interface 1000BASE-T x2 port, SFP x4 slot. Compatibility SFP module x1. Cisco Catalyst Blade Switch 3040 SFP module x1. Copyright 2008 FUJITSU LIMITED PRIMERGY BX600 LAN PassThru Blade. Interface to connect Blade Servers and LAN. Product Name. Product ID LAN PassThru blade; up to 4 LAN PassThru blades can be mounted to the chassis. Compatibility. BX600 S3 chassis, BX600 S2 chassis PRIMERGY BX600 Fibre Channel Switch Blade 4Gbps. Supports up to 4Gbps link speed. 12 port Fibre Channel Switch Blade. Product Name. PRIMERGY BX600 Fibre Channel. Switch Blade 4Gbps. Product ID Fibre Channel Switch Blade for PRIMERGY BX600 S3 chassis. Up to 2 can be mounted onto the chassis. FCSW Upgrade kit. Port on Demand PGFCSU102 must also be. PassThru Blade 4Gbps BX600 S2 chassis Fibre Channel 4Gbps external ports. Internal interface 4Gbps x10 ports, External interface 4Gbps x10 ports. BX600 S2 chassis FCSW Upgrade kit Port on.

Demand FCSW Upgrade kit ISL Trunking This option optimizes network performance by aggregating multiple InterSwitch Links into a single logical. Copyright 2008 FUJITSU LIMITED PRIMERGY BX600 Advanced KVM Module A Shared connection can be realized between each blade server. Product Name. PRIMERGY BX600 Advanced KVM. Module. Product ID Compatibility. BX600 S3 chassis, BX600 S2 chassis BX600 S3 chassis. BX600 S2 chassis Power Supply Module 2 power supplies as 1 set. Up to a maximum of 4 PSUs are mountable Product Name. Power Supply Module. Product ID Redundant Power Unit x2 for BX600 S3, 2100W each. BX600 S3 chassis, BX600 S2 chassis Product Name. Expansion Card Slot Module. LAN Expansion Board Dual Port Product ID Expansion Card for mounting PCIX cards. Expansion Card for mounting PCI Express cards. A maximum of one LAN card PG2861L or SAS array Compatibility Compatibility BX600 S3 chassis, BX600 S2 chassis Compatibility. Fibre Channel Expansion Board BX600 S3 chassis, BX600 S2 chassis Compatibility. BX600 S3 chassis, BX600 S2 chassis StartUp Disk BX600 S3 chassis. BX600 S2 chassis Corresponds to SAS array controller card PG248EL. Compatibility. BX600 S3 chassis, BX600 S2 chassis File Type Extension pdf. PDF Version 1.4. Linearized Yes. Tagged PDF Yes. XMP Toolkit Adobe XMP Core 4.0c316 44.253921, Sun Oct 01 2006 171439. Producer Acrobat Distiller 7.0.5

OptionsCELSIUS OptionsCELSIUS OptionsCELSIUS OptionsCELSIUS OptionsCELSIUS
OptionsCELSIUS OptionsCELSIUS OptionsCELSIUS OptionsCELSIUS OptionsPage 118
SCENICVIEW PremiumDisplaysKeyboards. A keyboard is the most important interface between user
and computer. All our keyboards are. Page 121 Positioning PRIMERGY Tower ServersPRIMERGY TX
servers benefit. Page 122 PRIMERGY TX150 S7.

The PRIMERGY TX150 S7 the right system for SMEs or nonmissioncritical decentralized
infrastructures where the main focus. Page 123 PRIMERGY TX150 S7Model Description Details.
PRIMERGY TX150 S7 Continued. Page 124 PRIMERGY TX150 S7Model Description Details. Page
125 Tower Servers AccessoriesPage 155 PRIMERGY RX100 S7. PRIMERGY RX100 S7 for SMEs and
data centers, looking for high availability, scalability and low TCO . Page 156 PRIMERGY RX300 S6.
The PRIMERGY RX300 S6 is a 2 U rack server which has been optimized for virtualization purposes.
Page 157 PRIMERGY RX300 S6Model Description Details. Standard products. PRIMERGY RX300 S6
ContinuedThe trend to consolidation as a result of virtualization and optimization require
environments that are more flexible and. Page 159 PRIMECENTER M1Model Description Details.
PRIMECENTER M1 Rack ContinuedPage 160 PRIMECENTER M1Model Description Details.
PRIMECENTER M1 Rack ContinuedPage 161 Rack Servers AccessoriesThe ProcessingThe Fujitsu
PRIMERGY BX400 is a fullyfeatured blade system built from the ground up to be userfriendly. Page
199 PRIMERGY BX620 S4. PRIMERGY BX server blades represent the workhorses within the
PRIMERGY BX600 blade server system. Server blades may. Page 200 PRIMERGY BX620 S5. The
PRIMERGY BX620 S5 provides optimal functions for enterprise environments and offers improved
features as regards main. Page 201 PRIMERGY BX900 S1. PRIMERGY BX900 The Dynamic Cube.
The PRIMERGY BX900 Dynamic Cube is a complete Dynamic Server. Page 202 PRIMERGY BX92x
S2. The PRIMERGY BX Blade Servers are the ideal choice for data center solutions of today and
tomorrow. Page 203 PRIMERGY BX960 S1. Page 204 PRIMERGY SX650. To extend the internal
storage capacity of a PRIMERGY BX620 S4 or S5 dual socket server blade, up. Page 205 PRIMERGY
SX910 S1. The PRIMERGY SX910 S1 Storage Blade Tape module can be used to archive and backup
local data. Page 206 PRIMERGY SX940 S1.

The PRIMERGY SX940 S1 Direct Attached Storage Blade Disk can be used to extend the internal
storage. Page 207 PRIMERGY SX960 S1. The Fujitsu PRIMERGY SX960 Storage Blade offers
directattached storage for the PRIMERGY BX Blade Server with support. Page 208 PRIMERGY
SX980 S1. The Fujitsu PRIMERGY SX980 Storage Blade Disk is a SAS 2.0 storage solution that helps
customers easily. Page 209 PRIMERGY NX650 NAS. The NAS solution NX650 provides shared disk
capacity of up to 3,000 GB per unit for server. Page 210 Blade Servers Accessories. The card can be
installed in the expansion card slot of the Fujitsu server blade to configure the Local Area Network
LAN system. Read this manual carefully to handle the product correctly. For details about the LAN
driver, refer to manuals supplied with the server blade or the Fujitsu PRIMERGY website Thoroughly
review the information in this manual before using this product. This manual should be kept in an
easytoaccess location for quick reference when using this product. You shall not use this Product
without securing the sufficient safety required for the High Safety Required Use. If you wish to use
this Product for High Safety Required Use, please consult with our sales representatives in charge
before such use. For details about the Fibre Channel driver, refer to manuals supplied with the
server blade or the. Fujitsu PRIMERGY websiteFor Your Safety. This manual contains important
information, required to operate this product safely. Thoroughly review the information in this
manual before using this product.This manual should be kept in an easytoaccess location for quick
reference when using this product. High Safety. The Products are designed, developed and
manufactured as contemplated for general use, including without limitation,You shall not use this.
Product without securing the sufficient safety required for the High Safety Required Use. If you wish
to use this ProductThis product is a Class 1 laser device.

Warning Descriptions. Various symbols are used throughout this manual. These are provided to emphasize important points. The symbols and their meanings are as follows. Be sure to fully understand the following symbols are used to indicate the type of warning or cautions being described. A triangle mark emphasizes the urgency of the WARNING and CAUTION. Details are described next to the triangle. A barred circle warns against certain actions Do Not. Details are described next to the barred circle. A black circle indicates actions that must be taken. Details are described next to the black circle. Symbols. The following are symbols used throughout this manual. Symbols. Meaning. These sections explain prohibited actions and points to note when using this product. These sections explain information needed to operate the hardware and this mark indicates reference pages or manuals. Keys are described by their representative characters instead of their exact key face. The following indicate pressing several keys at once. Entering Commands Keys. Enter your drive name according to your drive. The following expressions and abbreviations are used to describe the product names used in this manual. Product names. Expressions and abbreviations. This product. PRIMERGY BX620 S3 Server Blade, PRIMERGY BX620 S4 Server Blade, Server Blade. Windows Server 2003. Safety. For your safety and that of others, follow the guidelines provided on the following pages concerning handling this product. Failure to do so may cause the failure to do so. Doing so may cause a device failure or fire. Check that the following items are supplied before using this product. Microsoft, Windows, Windows Server are registered trademarks or trademarks of the Microsoft Corporation in the USA and other countries. Other product names used are trademarks or registered trademarks of their respective manufacturers. Other products are copyrights of their respective manufacturers. Appendix B. How to Identify the Adapter. Contact Information.....

This product is a Fibre Channel expansion board for use exclusively with BX620 S3 and BX620 S4. Use only the FC Switch Blade connected to the following diagram shows a configuration example with 5 BX620 S3 server blades slot 15 and BX620 S4 server blades slots 610 installed in a BX600 S3 chassis. In this example, in order to install fiber channel interface on the server blade. This product is an expansion board used in order to install fiber channel interface on the server blade. This product has the following features. The following shows the specifications of this product. Item. Product name. Product ID. Function. Number of channels ports. Host bus interface. PCI Express 1.0a. External interface. Fibre channel Optical cable. The following explains the procedure to check the driver version. Emulex PLUS. For details about the drivers for the other operating systems, refer to the website for Fujitsu. Fabric connection. Connect to the ETERNUS via FC Switch Blade. FC Switch Blade PGFCS103. Event log. When the system is started using this driver, the following logs are stored in the event viewer system. This chapter explains the installation procedure in the server blade. Before handling them, first touch a metal part of the chassis. Hold the metallic areas or place them on a conductive surface. Installing a FC Network Blade on chassis network blade slot 3 or network blade slot 4. When installing a server blade in the BX600 S2 chassis, this product cannot be installed. Screws. This chapter explains points to note when connecting cables. Connect the cable to the FC Network Blade installed in the BX600 S3 chassis, or the FC Network Blade installed in the BX600 S2 chassis. Each cable connector has a protrusion which determines the inserting direction of the cable. Pulling the cable may cause system failure. Doing so may cause failure or malfunction. This chapter explains the procedure for installing drivers and utilities. When installing drivers, log on using administrator privileges. Installation process starts. Drivers and utilities can be manually installed using the following procedures.

Installing Emulex PLUS. Installation starts. The results will bring no difference. Firmware update starts. Boot BIOS update starts. For PGFCD201, perform procedures as above to all adapters. For PGFCD201, two BX600FC42E are displayed. For PGFCD201, perform the above procedures for all adapters. When performing this product details settings, log on with administrative privileges. When the connected device to this product is ETERNUS SX300, refer to the User's Guide, etc. for ETERNUS SX300. For PGFCD201, Adapter 0 and 1 are displayed. The results will bring no difference. The following parameter data are displayed. For PGFCD201, Adapter 0 and 1 are displayed. Connection type. New

ValueFor the setting values, refer to the ETERNUS Server Connection Guide, etc. When there are two or more adapters, and the value for each adapter will be changedFor PGFCD201, there are two adapters and two IEEE Addresses. Due to this there are two IEEEWhen adding this product after installation, the settings for the existing productFor PGFCD201, two BX600FC42E are displayed.Connection type. ValueWhen there are two or more adapters, and the setting for each adapter will be changedIf the parameter is displayed in red, the setting is not applied.The registry editor starts.Product names. Connection configuration. Single connection. Cluster configurationAfter configuring the cluster, recheck these settings. If the settings are incorrect,This chapter explains the troubleshooting methods when this product is notThe link status connection can be checked upon system start by starting the Light Pulse BIOS Utility. How to start the Light Pulse BIOS Utility. When this product is installed, the following message appears at the system startup.Press to go to Emulex BIOS Utility. Press to skip Emulex BIOSEmulex Light Pulse BIOS Utility, ZB1.70A3. Emulex Adapters in the System. Enter a Selection. Enter to Exit. Change the set value of the Light Pulse Bios Utility if necessary.

<http://www.drupalitalia.org/node/77652>