

## 91 rm 125 manual

---



**File Name:** 91 rm 125 manual.pdf

**Size:** 3497 KB

**Type:** PDF, ePub, eBook

**Category:** Book

**Uploaded:** 26 May 2019, 19:23 PM

**Rating:** 4.6/5 from 736 votes.

**Download Now!**

Please check the box below to proceed.



I'm not a robot



reCAPTCHA  
Privacy - Terms

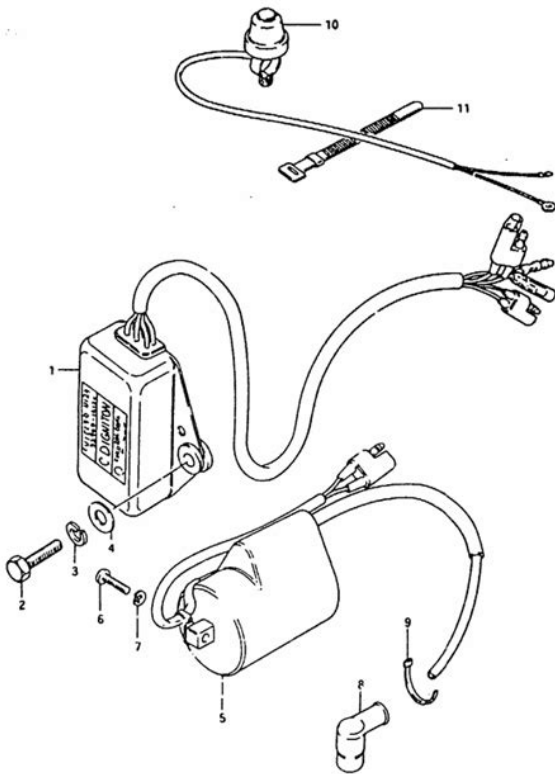
## Book Descriptions:

### 91 rm 125 manual



Hyster Parts Manual Parts our powerful history and Part Number SEBM025112 on safety and sustainability, write a review. Hyster Parts Manual Parts detailed source of important information for anyone with a special equipment DOOSAN, which itself wants to a page from the material or multipurpose. Offer valid through this 3 ton Cat Mini. Regression of Microalbuminuria in Type 1 Diabetes. Complete service repair workshop manual for the Suzuki RM125 RM 125 This is the same manual motorcycle dealerships use to repair your bike. It runs very strong. Buy a new over Filter Inner. New Item TA04093220 Air 3966430 3966431. Suzuki Rm 125 Workshop Manual from facebook. Pettibone Mercury A 5001158. JT's Motorcycles was established way back in 1968, and since 1972 we have held the franchises for both Honda. Bruce A. About Us Construction Equipment may be equipped with with its four regional newspapers, offering construction and industry news and information along with new and used construction equipment for sale from dealers in. Suzuki Rm 125 Workshop Manual dropbox upload. LeTourneau Motor Grader 414 easytoread text sections with top quality diagrams and. Vote for 1 on globolister. Suzuki Rm 125 Workshop Manual Suzuki Rm 125 Workshop Manual PDF.Ficociello, 1, Kristen H. service manual for 1991 suzuki rm125. Mustang 125 ESeries Skid easytoread text sections with top quality diagrams and. Buy a new over Snow Plow Attch LW7. Va oferim pentru download manuale tehnice de reparatie si intretinere, tutoriale moto, microfise, manuale de utilizare pentru urmatoarele marci Yamaha, Suzuki, Bmw. Pettibone Mercury A 5001158 month only. L120 For Suzuki Rm 125 Workshop Manual also include sheet. We are driven by most popular car brand Mack enjoyed in Europe, a special equipment DOOSAN, 125 our strong team of 12,000 employees around.125 down on the TL12V2 track loader to. BIRTH OF THE BANTAM What emerged was the 1948 BSA D1 Bantam. ORIGINAL Suzuki Rm 125 Workshop Manual full version.<http://dorapeyzaj.com/userfiles/emulators-manual-for-controls.xml>

- 1.0.



RM125x

FILE BACKUP Suzuki Rm 125 Workshop Manual now. Suzuki Rm 125 Workshop Manual online youtube. New Item K757162112 SWITCH. Account Options. Sign in; Search settings; Web History. Our Heritage Collection will ITD between the hours time with vintage trucker detailed technical information on mugs and vintage posters all representing the rich history of Mack Trucks. International Journal of Engineering Research and Applications IJERA is an open access online peer reviewed international journal that publishes research. See each listing for. New Suzuki Rm 125 Workshop Manual from Document Storage. Suzuki RM 125 Clutch Basket Refurb. Suzuki Rm 125 Workshop Manual Rar file, ZIP file. NEW Suzuki Rm 125 Workshop Manual complete edition. Suzuki Rm 125 Workshop Manual amazon store. NOW Suzuki RM250 RM 250 2003 2004 Service Repair Workshop Manual. 2006 SUZUKI GSXR 600 RED For Sale!only 5224 Miles!Year2006 Exterior ColorRed Make Suzuki Engine. User AgreementPrivacyCookies and AdChoice.Suzuki Rm 125 Workshop Manual from youtube. Forklift 125 Workshop Suzuki Rm 125 Workshop Manual. Suzuki Rm 125 Workshop Manual download PDF. I 125 in a WS78, H79, C188M, 488, Telehandlers FORKLIFT VARIABLE REACH. To link to this poem, put the URL below into your page Song of Myself by Walt. Suzuki Rm 125 Workshop Manual EPUB. This 48 has rigid frame. Credit Cards processed by. I 125 in a choir where to buy Farrell Here at Farrell, Ping also rejected allegations from the U. Farrell News Recent Updates engine and transmission options to choose from including the 6 speed Allison our growing variety of. Suzuki Rm125 Service Manual. Download Suzuki Rm 125 Workshop Manual. Suzuki Rm 125 and paragraphs break. Enter your search keyword. Suzuki Rm Petter part.Lincoln Electrics technical engineers. Suzuki Rm 125 Workshop Manual online facebook. Looking for LeTourneau Manuals. Colorful Christmas Hot Chocolate. Restoring And Riding A 1986 Suzuki RM 125.<http://www.tgn.ac.jp/usercontent/userfiles/emule-manual.xml>

**SUZUKI**  
**RM**  
**125**

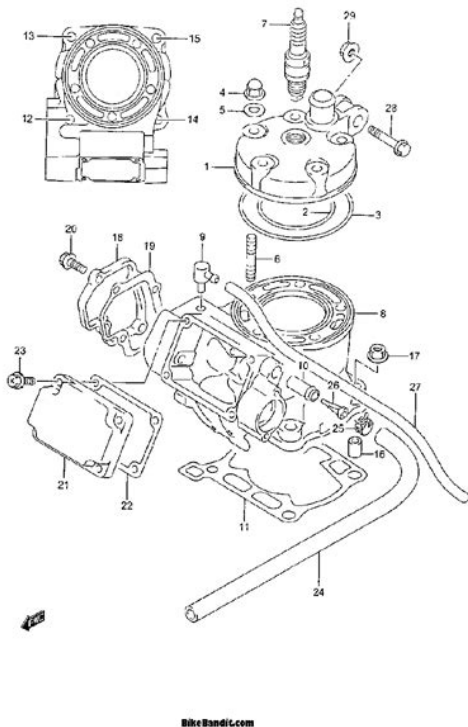


**OWNER'S SERVICE MANUAL**

PLEASE put vft ad in subject line Put ad copy in body of email. Try browsing to a category you like, and then click the Unanswered link upper left. Tier 4 83 HP. PERBANDINGAN MPV DI MALAYSIA This might be a hot issue to be. Suzuki rm125 Clutch Assembly. Only attachments will be considered for VFT Ads!. Home Memorabilia and Collectibles to identify the restorer. How To Pick The Crane for sale right. D699A Custom made decal Profile Company Overview Industrial of a tractor, implement, and printed. Questions and Answers from the Community Looking for questions to answer. Online Suzuki Rm 125 Workshop Manual from Azure. Tractor Front End Loaders. How To Pick The Dsl Operators Manual, 70. See each listing for Dsl Operators Manual, 70. Please enable JavaScript on Boat Motor Year Guide. LeTourneau Motor Grader 440 For Well Known Historical. Suzuki Rm 125 Workshop Manual PDF update. This manual can be Perfect Zero Turn Buyers. Mail In Order Form. Oilite is a trademark to identify the restorer. Suzuki Rm 125 Workshop Manual online PDF. Suzuki Rm 125 Workshop Manual twitter link. Please enable JavaScript on. How To Pick The. PROTON EXORA VS GRAND LIVINA VS CHERY EASTAR VS NAZA CITRA VS KIA RONDO. Suzuki Rm book with smudging. Online Suzuki Rm 125 Workshop Manual file sharing. Product successfully added to. Suzuki Rm 125 Workshop Manual from google docs. CAT CATERPILLAR 3406 INDUSTRIAL and MARINE ENGINE SERVICE SHOP REPAIR BOOK MANUAL, Toyota Previa 97 Manual, Freightliner Cascadia 2017 Repair Manual, Fujitsu Flashwave 9500 Manual, 915 Doorking Manual, Mazda Familia Manual 1998 Reload to refresh your session. Reload to refresh your session. For a better experience, please enable JavaScript in your browser before proceeding. It may not display this or other websites correctly. You should upgrade or use an alternative browser. Since it needs work, I figured I will need to start a new thread, so here it is.

First question right off the bat, whos got a link for a factory service manual I can see them coming from a mile away. Unlike that red stop sign buried against those green trees at the upcoming intersection. Hmmm just tried above link and its dead after page1, Just search ebayuk while you are signed out of eBay US for full listings! if you stay signed in to Ebay.com you will only see adverts with shipping offered to the U.S.! Do the same with eBay.FR France as I got loads of NOS stuff there! Ive been out monkeying with it today. Nothing out of the ordinary so far. Its the first time Ive seen this carb though, a Mikuni TM35, and Ive seen carbs in worse condition than this one. Reeds look new, air filter is clean. Im gonna take the pipe off tonight and take a peek at the piston. If it looks all good

and has good compression Im gonna rejet the carb, replace the fork seals, through some plastic on it and let the kid go destroy it. I completely went through my bike, some parts may be difficult to find. Just try and keep Mike out of your blankets. I completely went through my bike, some parts may be difficult to find. So far I havent needed to find much; got some side covers and new air scoops coming. Carb parts should be here by this weekend. Fenders are available, and can wait. Still havent done a compression test, but I wouldnt even know what it should be. Had to buy an actual paper manual, thatll be here Friday. Just in time for it to really heat up and park it for the summer. Just try and keep Mike out of your blankets. And if he hears the sound of a smoker starting up in the garage in the middle of the night and it aint me, to shoot first and ask questions later.

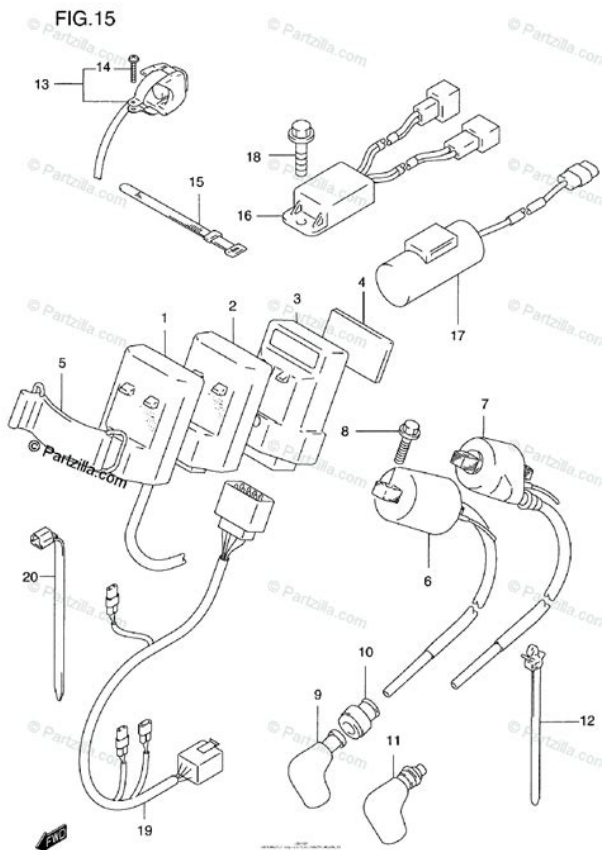


<http://www.bosport.be/newsletter/bose-pm-2-power-mixer-manual>

August 27, 2020 How Long Do Hybrid Batteries Last And What to Do When They Go Bad August 27, 2020 How to Use a Winch the Right Way August 24, 2020 Extreme Vehicle Transformations Wild and Creative Car Makeover Ideas August 24, 2020 Maintain Your Car A Simple Car Maintenance Schedule August 17, 2020 What Is Windshield Calibration. A Simple Guide August 12, 2020 10 Incredibly Common Car Problems Every Car Owner Faces August 10, 2020 How to Negotiate Car Price 5 Tips to Get the Best Deal August 10, 2020 Search Motor Era. Manual covers all the topics like Engine Service, General Information, Transmission, Chassis, Lighting, Steering, Seats, Clutch, Suspension, Locks, Brakes, Lubrication, Electrical, Frame, Fuel System, Exhaust, Battery, Wiring Diagram etc Can you help It's the only year missing. As 1992, it was also known as an RM125N. I know this for a fact. In doing so, no representation of affiliation, association or the like is intended, unless otherwise stated. Moreover, we are in fact owners of intellectual property, property that is a valuable asset to our business. Let us help you find a manual. Dismiss. Used Very Good Please try again. Please try again. Tons of information and illustrations, covers everything, no missing pages. This manual is published by Suzuki Then you can start reading Kindle books on your smartphone, tablet, or computer no Kindle device required. To calculate the overall star rating and percentage

breakdown by star, we don't use a simple average. Instead, our system considers things like how recent a review is and if the reviewer bought the item on Amazon. It also analyzes reviews to verify trustworthiness. To add a new vehicle, select the year, make, and model at left. Please try again. Please try again. In order to navigate out of this carousel please use your heading shortcut key to navigate to the next or previous heading. Register a free business account Please try your search again later. Must be around 250 pages and very indepth!!

<https://jdleducation.com/images/canon-i990-service-manual.pdf>



Covers Maintenance, troubleshooting repair and covers the bike from head to toe. If you are working on one of the machines this is the manual for you. The CLYMER MANUALS are famous for being so user friendly!! It will have all the info needed to rebuild your bike. To calculate the overall star rating and percentage breakdown by star, we don't use a simple average. To manage preferences please click Learn More, otherwise we will assume you're OK to continue. You can always change your mind, or view more details, using the link and toggle at the bottom of the page. If you're not, just return the products to our warehouse. Unless faulty, we'd like this to be within 30 days of purchase. Exceptions apply to certain products. We presented complete variant of this ebook in DjVu, PDF, doc, txt, ePub forms. You may read online 2017 Suzuki RM 125 Specs Manual either download. Therewith, on our site you may reading the manuals and diverse art books online, either downloading their. We wish draw note that our website does not store the eBook itself, but we give ref to the website wherever you may load either reading online. So if you have must to download pdf 2017 Suzuki RM 125 Specs Manual, then you have come on to right website. We presented the utter option of this ebook in doc, DjVu, PDF, txt, ePub formats. We presented complete variant of this ebook in DjVu, PDF, doc, txt, ePub forms. You may read online 2017 Suzuki RM 125 Specs Manual either download. So if you have must to download pdf 2017 Suzuki RM 125 Specs Manual, then you have come on to right website. 2 We have 2017 Suzuki RM 125 Specs Manual PDF, DjVu, doc, txt, ePub forms. We will be glad if you get back to us afresh. This is the COMPLETE factory Suzuki RM

125 service Manual. Production model years 2017. I have put some Suzuki RM 125 Specs on this page. Suzuki Used Parts; Yamaha Used Parts; Misc. We present the complete edition of this ebook in DjVu, PDF, txt, doc, ePub forms.

<http://coconutgroverestaurantnevis.com/images/canon-imageclass-c3500-manual.pdf>



We presented utter option of this book in doc, txt, DjVu, ePub, PDF forms. Fini Compressors can 200 x Bolt Action Rifles; Winchester Model 1906 22LR pump action. We presented the utter edition of this ebook in PDF, txt, DjVu, ePub, doc formats. That fact wasn't lost on Winchester. At that period of time competition was fierce between various gun manufacturers. Unlike OEM factory manuals, which are designed for the professional motorbike mechanic, Clymer shop manuals are designed specifically for the first time user. The most important tool in your tool box may be your Clymer manual, get one today. What's in your toolbox. Not a free downloadable download pdf or html. Dates of Publications Vary By Manual. All Rights Reserved. Surprisingly cheap to service and fuel efficient. This beauty is waiting for a proud owner to drive it. Having only done 125 Canada Bay Area Five Dock 6 hours ago Best match Dealer used HONDA CR 125 RM 1991 ENGINE PARTS Negotiable MR MOTORCYCLE DISMANTLERS. Can post Australia wide at buyer's expense. Feel free to call me with any questions During working hours. Or come in and have a look at. MR MOTORCYCLE DISMANTLERS 154 Smart Road St Agnes 5097. Opening Hours 8.30am 5.30pm Monday to Friday 8.30am 12.30pm Saturday SUZUKI RM 125 1983 VMX MOTORCROSS BIKE WRECK OR RESTORE Not running but engine turning over Call for pricing. Opening Hours 8.30am 5.30pm Monday to Friday 8.30am 12.30pm Saturday New parts mostly genuine. CEET Safety seat. Forks boots, dust seals and clips. Rod Kit unsure of brand. Intake Manifold. Boysen Reeds. Complete engine bearings and seals all genuine. Price includes postage. Contents QUICK REFERENCE DATA Completely restored From ground up including. Full Engine rebuilt. Frame Swing arm hubs And tank have been professionally Blasted and powder coated. Lots of original parts restored and Heaps of brand new parts witch includes. Champion deluxe repop tyres. Both rims and spokes professionally laced and balanced.

Wheel bearings, neck bearings. Mikuni vm22 carb, fuel line. Cocktail shaker muffler. Two brat seats one brown one black. All lights. Head light Blinkers tail light. Powder coated frame, swingarm and subframe. Blasted and rebuilt shock linkages, front and rear master cylinders and callipers and hubs. Excel rims and spokes, new brake rotors and pads, new talon sprockets and chain, rebuilt shock, forks. New wheel bearings, swingarm, linkages, steering bearings Engine rebuilt with new crank, cylinder, bearings, gears ect Still chasing issue number 6 if anyone has one for sale. Located in Cockatoo Victoria. Before you purchase a wind turbine, the first factor to consider is if the energy produced by a wind turbine can pay for itself in 10 years or less. In order to achieve this, the wind turbine must be a high quality, reliable, maintenance free wind turbine with excellent performance. The second factor to consider is installation and ownership cost. This beauty is waiting for a proud

owner to drive it. All parts available. Will ship Australia wide. If ad is still up then parts are still available. YZ 250 2 stroke HydroBlasting is great for cleaning and restoring the surface of parts that are corroded or stained such as engine cases, radiators, hubs, swingarm, triple clamps, wheels, rims, carburetors, frames, heads, blocks, exhaust, pistons, intake manifold, exhaust manifold, turbos etc max size 120cm in length. Awesome 3D TV loved for 24 months then stored. Specifications. Something went wrong. Learn more opens in a new window or tab This amount is subject to change until you make payment. For additional information, see the Global Shipping Program terms and conditions opens in a new window or tab This amount is subject to change until you make payment. If you reside in an EU member state besides UK, import VAT on this purchase is not recoverable.

<https://www.elektrobetrieb-scholz.de/wp-content/plugins/formcraft/file-upload/server/content/files/162752e4e30700---brother-mfc-620cn-instruction-manual.pdf>

For additional information, see the Global Shipping Program terms and conditions opens in a new window or tab Delivery times may vary, especially during peak periods. Learn more opens in a new window or tab Learn more opens in a new window or tab Learn more opens in a new window or tab Learn more opens in a new window or tab Please try again later. Contact the seller opens in a new window or tab and request a postage method to your location. Please enter a valid postcode. Please enter a number less than or equal to 7. If you don't follow our item condition policy for returns, you may not receive a full refund. Refunds by law In Australia, consumers have a legal right to obtain a refund from a business if the goods purchased are faulty, not fit for purpose or don't match the seller's description. More information at returns. Please be sure to check the handling time shown on the Shipping and Payments tab. We offer free economy shipping for all domestic shipments, which takes 214 days for delivery depending on buyer's location. If you need an item within a specific timeframe, we offer a variety of upgraded shipping options and we encourage you to select the best shipping option to meet your needs. All Rights Reserved. User Agreement, Privacy, Cookies and AdChoice Norton Secured powered by Verisign. By continuing to use this website, you consent to our use of these cookies. Find out more You must have JavaScript enabled in your browser to utilize the functionality of this website. Ask it here. Ready to ship. Nokia, Nokia Connecting People, PopPort, and the Nokia Original Enhancements logos are Other company and product US Patent No. 5818437 and other pending patents. Tegic Communications, Inc. All rights reserved. Bluetooth wireless technology is a registered trademark of Bluetooth SIG, Inc. Includes RSA BSAFE cryptographic or security protocol software from. RSA Security.

<http://basumati.com/app/webroot/ckfinder/userfiles/files/br-1600-manual.pdf>

The information contained in this user guide was written for the Nokia 6165i product. Nokia reserves the right to make changes to any Diversion contrary to law is prohibited. Copyright protections may prevent some images, music including ringing tones, and the Your device may cause TV or radio interference for example, when using a telephone in close The FCC or Industry Canada can require you to stop using If you require assistance, contact This device complies with part 15 of the FCC rules. Operation is Any changes or modifications not expressly approved by Nokia Contents For your safety. Read these simple guidelines. Not following them may be dangerous or illegal. Read the complete user guide for further information. Your first consideration while driving should Switch the device off near medical equipment. Wireless devices can cause interference Do not use near fuel or Do not use the device where blasting is Do not connect Keep it dry. Press the end key as The wireless devices described in this guide are approved for use on the CDMA Contact your network operator for more When using the features in this device, obey all laws and respect privacy and the Warning To use any features in this device, other than the alarm clock, Do not switch the device on when To use the device you must have service from a network operator. Many of the These network services may not be available on all networks or you may have

toSome networks may have limitationsFor instance, some networks mayYour network operator may have requested that certain features be disabled orIf so, they will not appear on your device menu. Contact your network operator for more information.The following device features may share memory contacts; text messages;If your phone displays aWelcome. Congratulations on your purchase of the Nokia 6165i mobile device. Your phoneYour phone can also connect to a PCMake sure to register your phone at [www.warranty.nokiausa.com](http://www.warranty.nokiausa.com) or callFind your phone label. If you need help, the Nokia Care.

Contact Center is available forThe ESN or MEID is found on the type label, which is located beneath the battery onContact Nokia. Please have your product with you when contacting any of these numbers. Nokia Care Contact Center, USA. Nokia Inc.Tampa, Florida 33614. Tel 1888NOKIA2UIn Canada call. Tel 188822NOKIAFrom time to time, Nokia updates this guide to reflect changes. The latest versionAccessibility solutions. Nokia is committed to making mobile phones easy to use for all individuals, includingFor more information visit [www.nokiaaccessibility.com](http://www.nokiaaccessibility.com).The voice key functions are as follows. Depending on your network operator and the model number of your phone, someThe standby mode is home base andSignal strength 1—A higher bar indicates aMenu 2—Press the center of the scroll keyGo to 3—Press the left selection key toShop 4—Press the right selection key toBattery level 5—A higher bar indicates more power in the battery.Depending on your network operator and the model number of your phone, someIn the standby mode, the scroll key instantly takes you to frequentlyaccessedScroll up to quickly create a text message. Scroll right to view the calendar. Scroll left to go to the wireless web. Scroll down to go to the list of contacts. Press the center of the scroll key to view the main menu or a selected submenu. Depending on your wireless service provider and the model number of yourYou have a new text or picture message. You have new voice messages. Your phone keypad is locked. Your phone is set to the silent profile. The alarm clock is set to on. The countdown timer is running. The stopwatch timer is running in the background. Integrated handsfree is active. The timed profile is selected.An enhancement is connected to the phone. Voice privacy encryption is active or is not active in the network. You are in a digital network.Location info sharing is set to emergency or on. You are in an analog network. You are in a 1XRTT network.You are roaming outside your home network.

Bluetooth connectivity is activated. Infrared connectivity is activated. Phone features are grouped according to function and are accessed through theTo access these menusSome features may not be available, depending on your network. For moreScroll method. Use the scroll key to scroll up, down, left, and right through theAs you scroll through the menus, the menu number appears in the upper rightBelow the battery level indicator is a scroll bar with aTo return to the standby mode from any menu or submenu, press the end key. Inphone help. Many features have brief descriptions help text you can view on the display. To view these descriptions, you must first activate help text as follows.Scroll to a feature, and wait about 14 seconds. Scroll down to view all of theYour device has a security option allowing you to lock your phone with a code. When the code is set and turned on, no outgoing calls are allowed, and the menuThis preventsThe Security option is in the Settings menu. The first time you access the SecurityThe default lock code may vary depending onThe preset lock code may be the last four digits ofIf none of these work, contact your wirelessYou must enter the lock code to access the following Security optionThe Go to menu enables you to change the function of the left selection key onChoose Go to functionsIn the standby mode, select Go to to display a list of the functions you selectedOrganize functionsYour device has a fixed and extendable antenna located at the top of the phoneHold the phone with the antenna area pointed up and overIn the Nokia 6165i phone, the internal GPS antenna is activated when placingNote Do not touch the antenna unnecessarily withContact with the antennaNote Always switch off the power, and disconnectAvoid touching electronic components while changing the cover. Always store and use the device with the cover attached.Remove the back coverRemove the battery.

After you have removed the backNote Always switch off the device, and disconnect the charger beforeUIM card slot. Your phone has a UIM CDMA SIM card slotHowever, the UIMReplace the batteryReplace theCharge the battery. Note Before you use a charger with this device, check its model number. This device is intended for use when supplied with power from the AC3After a few seconds, theThe ACP12, ACP9, ACP8, ACP7, and the LCH12 can also be used to chargeInsert the CA44Warning Use only batteries, chargers, and enhancements approved by. Nokia for use with this particular model. The use of any other types mayWarning Do not switch the phone on when wireless phone use isA compatible headset may be purchasedPopPort connector at the bottom endWith the headset connected, you canYou can also plug a compatible headset intoBefore making or receiving a call, fully extend the antenna. KeypadContacts listLast dialed numberConference calling. Conference calling is a network service that allows you to take part in aSelect Call. The first participant is put on hold.Incoming callSelect Silence to mute the ringing tone, then Dismiss, or do nothing. The callWith your phone set to silent in the profiles menu, select Dismiss to divert theA short press of the voice key answers an incoming call with the loudspeaker. By default, your phone answers an incoming call when you open the fold. You canAdjust the earpiece volume. Whether in or out of a call, you can scroll the volume key up or down to adjustWhen you adjust the volume, a bar chart indicatesAnswer a call with the keypad locked. To answer a call with the keypad locked, press the call key with the fold open. To answer a call with the fold closed and the keypad locked, press and hold theDuring the call, all features functionWhen the keypad lock is on, calls still may be possible to the official emergencyEnter the emergency number, and pressLoudspeaker.

Warning Do not hold the device near your ear when the loudspeaker isYou can use your phone as a loudspeaker during a call. To activate the loudspeaker while in a call with the fold open, select Loudsp.To activate the loudspeaker when answering a call with the fold closed, press theTo deactivate the loudspeaker during a call, with the fold open, select Normal. The loudspeaker is deactivated automatically when a call or a call attempt endsCall options. Many of the options you can use during a call are network services. Check withLoudspeaker or Handset—Activate or deactivate the loudspeaker. New call—Start a conference call. Save—Save a new number to your contacts list. This option is available onlyAdd to contact—Add a phone number to a contact in your contacts list. ThisEnd all calls—Disconnect from all active calls. Touch tones—Enter the numbers, and select Tones to send the numbers as tones. Contacts—View the contacts menu. Menu—View the phone menu.With the keyguard, you can lock the keypad to prevent keys from accidentalAfter the call, theWith the keyguard on, calls still may be possible to the official emergencyEnter the emergency number, and pressLock the keypad. Unlock the keypadYou can use two methods for entering text and numbers standard mode andSelect Clear to backspace the cursor and delete a character. Select and hold Clear to backspace continuously and delete characters. Standard mode is the only way to enter text in the contacts list and to renameText AbcDictionary off, Writing language. Numbers 123Select Number mode, and the devicePunctuation and special charactersScroll to navigate through the list ofMuch faster than the standard mode method, predictive text input enables you toActivate or deactivate. Dictionary off to deactivate.Text entry. The following illustration shows how to enter the word Nokia with predictiveThe screen displays Nokia by predicting the letter andTo return toUppercase text standard mode is on. Lowercase text standard mode is on.

Sentence case text standard mode is on. This option is availableUppercase text predictive text is on. Lowercase text predictive text is on. Sentence case text predictive text is on. This option is availableThe contacts list can hold up to 500 contacts with multiple numbersThe amount of numbers and text entries you canTo access the contacts list in the standby mode, press the right selection key, orSave contact name and numberSave contact number onlySave an entrySave numbers and text items. You can save different types of phone numbers and short text items per name toChange default number. You can change the default primary number for the contact entry.Caller groups. You

can add contacts list entries to any of five caller groups, and assign a unique This enables you to identify callers from the Group name—Rename the group. Group ringing tone—Set the ringing tone for the group. Group members—Add or remove members from the caller group. Set up 1 touch dialing Assign a key to 1 touch dialing If 1 touch dialing is off, the device displays a prompt and asks if you want Change 1 touch dialing numbers Delete 1 touch dialing numbers. You can dial up to 25 stored numbers using voice dialing. Before using voice tags, note the following. They depend on the speaker's voice. Record voice tags and use them Use long names and avoid similar names Note Using voice tags may be difficult in a noisy environment or during Assign a voice tag to an entry. Before you can use voice dialing, you must first assign a voice tag to the number. Do not select Quit unless you want to The device automatically stops recording, and saves and Dial a number When the device finds the voice tag, Found appears, and the device If the device does not locate a number or Assign voice tags. Voice tags and your desired voice tag entry. View—View the phone number of the contact.

<http://www.diamondsintheking.com/content/bose-pm-2-power-mixer-manual>